

Terrial Arts™

DIY Fabric Art

Materials needed:

Terrial Magic™

7" x 14" piece of fabric

Terrial Arts™ flower pattern of your choice

Fabrics for flowers (see pattern)

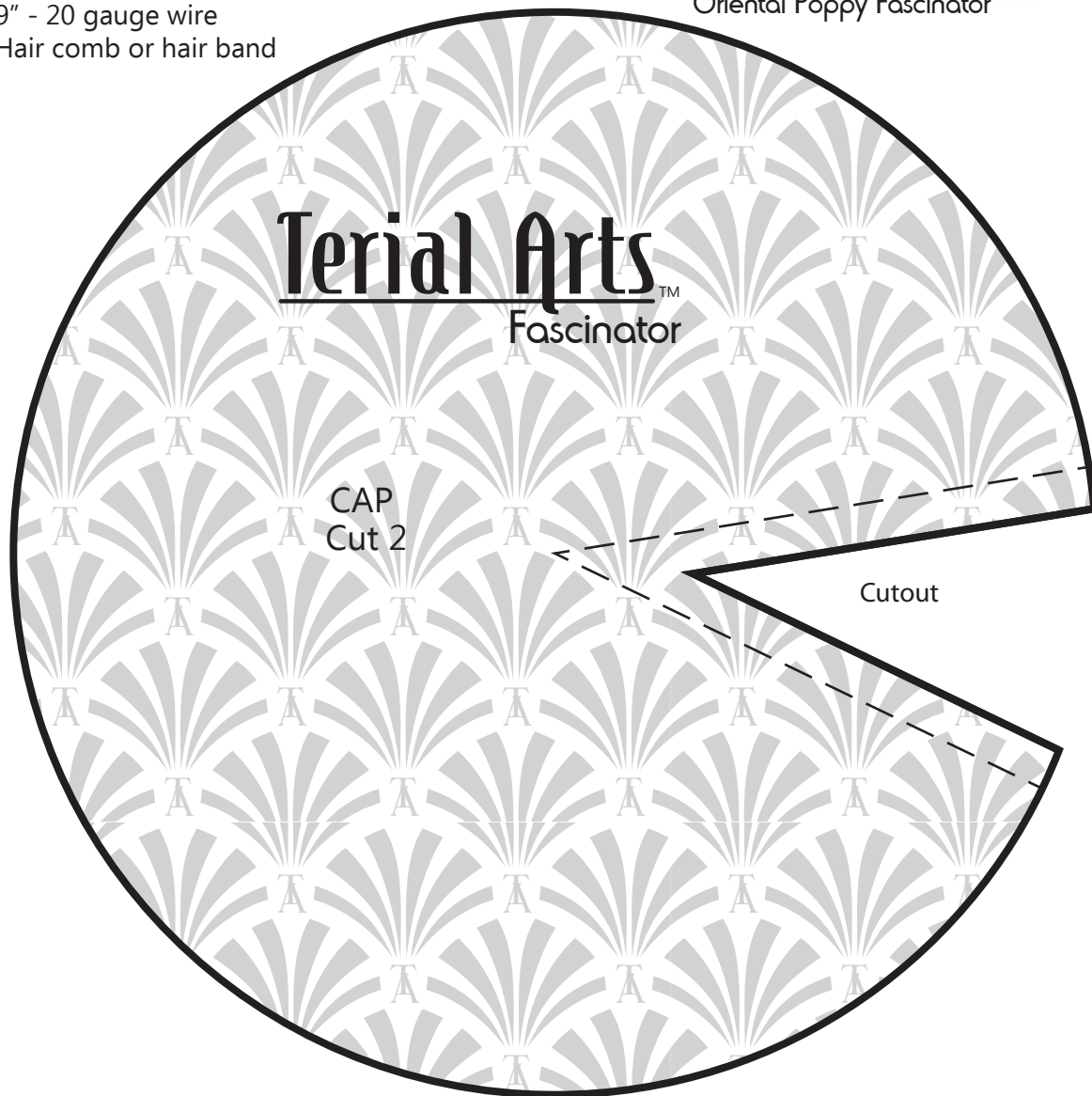
19" piping

9" - 20 gauge wire

Hair comb or hair band



Oriental Poppy Fascinator



Terrial Arts™ Fascinator

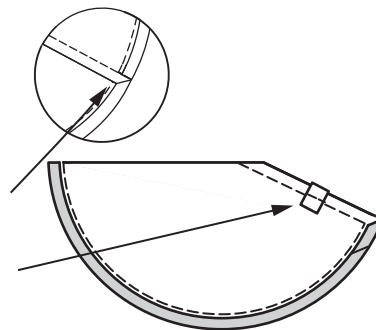
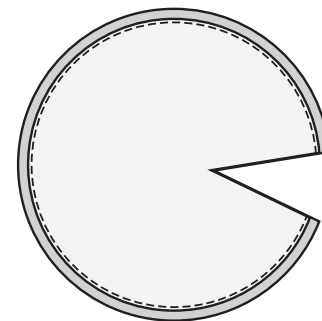
Treat fabric with Terrial Magic and cut 2 Cap pieces.

1. Place piping on outside edge of one Cap piece. Sew piping to wrong side of Cap using zipper foot. Turn over and place other Cap right side (up) of on top, matching cut out. Top stitch near base edge and close to piping. This is the outside (right side) of Cap.

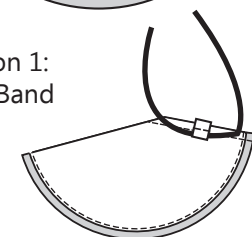
2. Fold right sides of Cap together along cutout edges. Sew 1/4" seam, Press seam to one side and away from cap edge. Turn piping in at 45 degrees press, glue or stitch in place away from cap edge. Option 1: Hair band-Sew a 1" strip (folded in half) of 1/2" elastic onto underside seam allowance. Turn so that right side is out.

3. Make any Terrial Arts' large flower with a 2" stem. Make the leaf, separate, cutting leaf wire even with leaf stem. See other side if adding netting. Using hot glue gun, place a bead of glue along wrong side of flower stem and glue onto Cap on top of seam, flower should face opposite side of Cap.

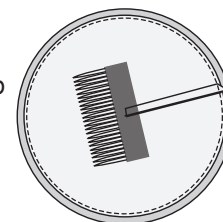
4. Hot glue right side of leaf stem on top of flower stem. Place Fascinator on head and arrange flower and leaf. Option 1: Slip narrow plastic hair band through elastic and adjust Fascinator to fit Properly on head. Option 2: Hair comb-attach on underside of cap using hot glue.

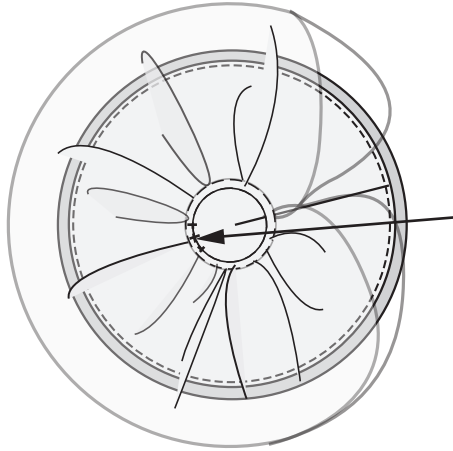


Option 1:
Hair Band



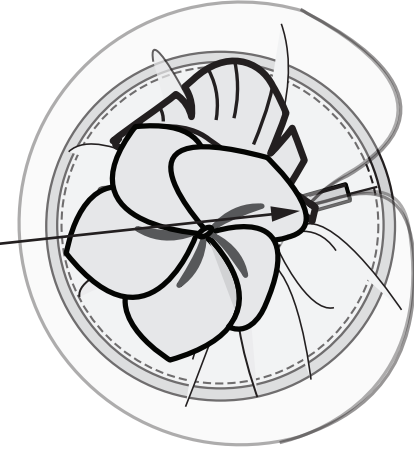
Option 2:
Hair Comb





Optional Netting:

Cut netting on fold. For pattern measure 7" for folded edge and 3" for ends. Round sharp edges. Unfold and baste stitch 1/2" from upper edge, back tacking one end. Pull bobbin thread to gather to 3". Glue or sew gathered ends together to form a small circle. Center on fascinator top and tack down towards front. Slip flower stem and leaf stem through netting center opening and tack or glue down along fascinator seam.



40" wide (folded) x 8" long Netting

