



MOON BUNNY BAG

A Bag Pattern by Felice Regina



materials

- 1/3 yard exterior fabric
- (1) 10" square applique fabric
- 1/3 yard lining fabric
- 1/4 yard for strap
- 1 1/4 yards of 20" wide Pellon® SF-101 Shape Flex® interfacing
- 1/3 yard of By Annie's Soft & Stable™
- 10" zipper
- (1) 10" square of paper-backed fusible web such as Pellon® 805 Wonder-Under or Steam-a-Seam2®
- (1) package of 1/2" double fold bias tape to match lining (or make 60" of your own)
- (1) 1" rectangle slider
- (2) 1" rectangle rings

pattern info

Suggested fabrics: Home dec weight cotton/linen canvas, or quilting cotton.

Notions: Zipper foot, walking foot

Seam allowances are 1/2" unless otherwise stated.

Backstitch at beginning and end of all seams.

All measurements are width x height.

Yardage based on 42" wide fabric. Directional prints may require additional yardage.

Finished Size: 9" H x 9" W x 3" D



Wrong Side



Right Side



Applique Fabric



Lining Right Side

For pattern support, contact info@iamlunasol.com

cutting

Exterior Fabric:

- (2) Main Panel, use pattern piece
- (1) Bottom Gusset, 4" x 19 1/4"
- (2) Zipper Gusset, 2 1/2" x 11"
- (1) Strap Loop, 4" x 6"

Lining Fabric:

- (2) Main Panel, use pattern piece
- (1) Bottom Gusset, 4" x 19 1/4"
- (2) Zipper Gusset, 2 1/2" x 11"

Strap Fabric:

- (2) Adjustable Strap, 4" x 42"

Shape Flex:

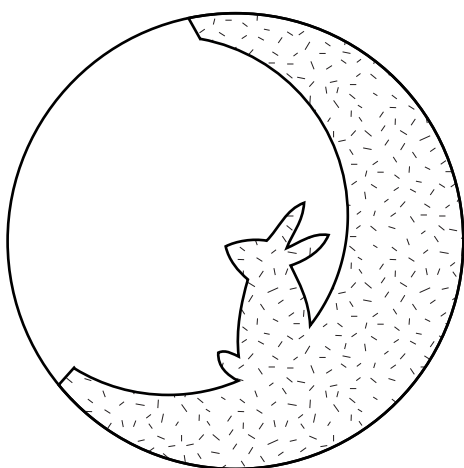
- (2) Main Panel, use pattern piece
- (1) Bottom Gusset, 4" x 19 1/4"
- (4) Zipper Gusset, 2" x 11"
- (1) Strap Loop, 3" x 6"
- (3) Adjustable Strap, 3" x 20"

Soft and Stable:

- (2) Main Panel, use pattern piece
- (1) Bottom Gusset, 4" x 19 1/4"

prepare applique

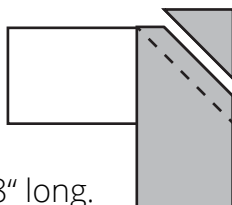
1. Trace Moon Template onto piece of fusible web. Lightly fuse the web to wrong side of applique fabric according to manufacturer instructions. Once cool, carefully cut out the template.
2. Lay a Main Panel right side up. Position the Moon Template as illustrated and fuse. Select a thread color to match your applique and secure with a satin, zigzag, or blanket stitch along the inside edges.



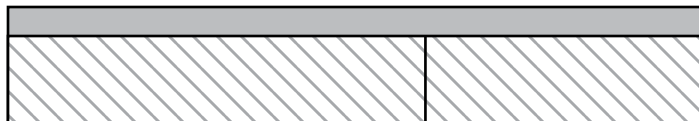
fuse interfacing

3. Lay Main Panels right sides down. Place the corresponding pieces of Shape Flex on top with the fusible side down. Fuse according to manufacturer instructions.
4. Fuse Shape Flex to the wrong sides of both exterior Zipper Gusset pieces, aligning the long edges on one side. Fuse a second layer of interfacing directly on top. Repeat with the Strap Loop in a similar manner (there will be only one layer of interfacing).

5. With right sides together (RST), sew the two Adjustable Strap pieces together with a diagonal seam. Trim seam to $\frac{1}{4}$ " and press open. Trim strap to 58" long.



6. Fuse Shape Flex to wrong side of Adjustable Strap, aligning the long edges on one side as you did in step 4. Butt the pieces of Shape Flex against one another, with the short sides end-to-end to cover interface the length of the strap.



7. Layer lining Main Panel (right side down), Soft & Stable, and exterior Main Panel (right side up). Align raw edges, pin, and baste around the edges with $\frac{1}{8}$ " seam allowance. Repeat with second Main Panel and Bottom Gusset.

make strap loops

8. Fold Strap Loop in half lengthwise, wrong sides together (WST), aligning the edges and press. Fold the edges in again to meet the crease and press. Re-fold along the first crease to create a 6" long piece of 1" wide double-fold tape.
9. Topstitch along both folded edges of the tape with $\frac{1}{8}$ " seam allowance.
10. Cut your tape into (2) 3" pieces. Thread each piece through a 1" rectangle ring and fold in half. Set aside.

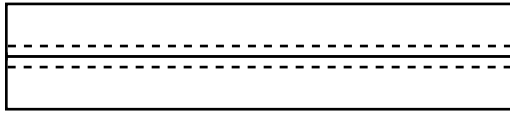
assemble gusset

11. Place the exterior Zipper Gusset pieces RST, aligning the long edges without interfacing. Pin and baste along this edge. Press seam open. Repeat with lining Zipper Gusset pieces.
12. Lay exterior Zipper Gusset right side down. Position the 10" zipper on top with right side down. Center the zipper teeth with the basted seam from the previous step. Pin in place. Using your zipper foot, baste the zipper in place with a

$\frac{3}{8}$ " seam allowance.

13. Place exterior Zipper Gusset right side down. Lay lining Zipper Gusset on top with WST. Align the raw edges and center the basted seam over the zipper coil. You may need to feel for it with your fingers to check its position. Pin in place.

14. With your zipper foot, sew along the basted seam with a $\frac{1}{4}$ " seam allowance. You should be sewing through the lining Zipper Gusset, zipper tape, and exterior Zipper Gusset.

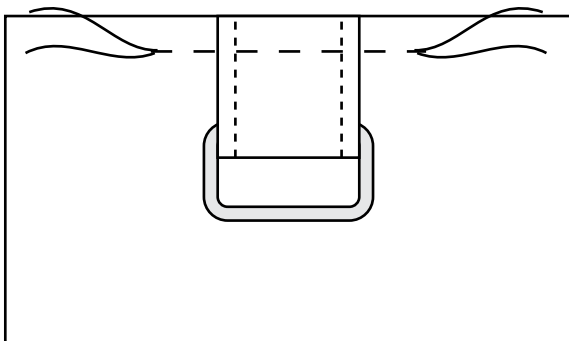


15. With a seam ripper, carefully remove the basting stitches from step 11-12. Trim the zipper tape that extends past the Zipper Gusset.

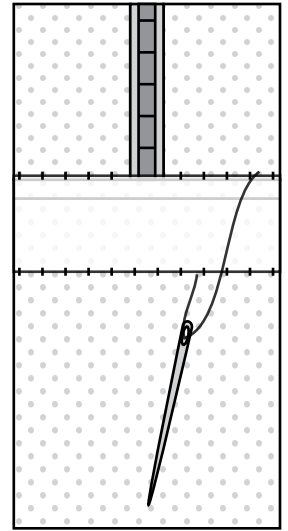
16. Position one of the folded Strap Loops on top of the short edge of the exterior Bottom Gusset, aligning the raw edges and centering the loop width-wise. Baste in place with a $\frac{1}{4}$ " seam allowance. Repeat with the remaining Strap Loop on the opposite end of the Bottom Gusset.

17. Place the Zipper Gusset and Bottom Gusset with exterior sides together, aligning the short edges. Pin both ends, and sew to form a loop. Sew directly on top of each seam once more for strength. Trim seam to $\frac{3}{8}$ " and press towards Bottom Gusset.

18. Topstitch Bottom Gusset $\frac{1}{8}$ " below each seam made in the previous step.



19. Cut (2) 4" long pieces of bias tape. Press the center fold open. With the folded edges facing down, position the piece over the seam allowance. The top folded edge of the tape should just barely cover the stitched gusset seam. Pin in place. Hand stitch in place with a ladder stitch or blind whip stitch. Repeat with second gusset seam and piece of bias tape.



assemble bag

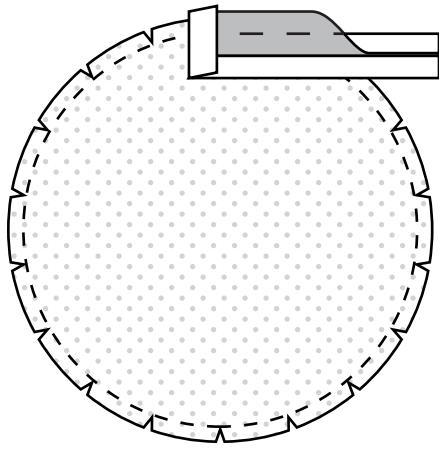
20. Fold your Main Panels in half vertically to find the centers and mark with a pin on the top and bottom edges.

21. Fold your gusset in half, matching up the gusset seams, to find the center of the Zipper Gusset portion and Bottom Gusset portion. Finger press to form creases and mark each end of the two creases with a pin.

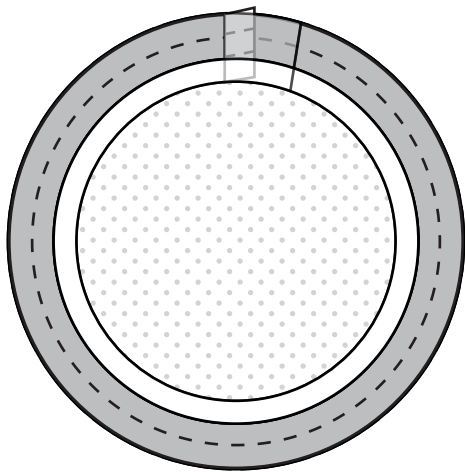
22. With exterior sides together, align the raw edges of your gusset and Main Panel. Match the center points and pin. Match the notches on your Main Panel with the gusset seams. Pin around the entire panel, easing the gusset around the circle. Take your time and sew slowly. Trim your seam allowance to $\frac{3}{8}$ " and clip your curves.

23. Unzip your zipper. Repeat the previous step to attach the Back Panel to the gusset.

24. Unfold one side of your bias tape and fold the end back $\frac{1}{4}$ ". With RST, place the bias tape against the edge of the Gusset / Main Panel seam, aligning the outermost crease with the seam.



Pin the bias tape all the way around the seam. When you come back to start of the bias tape, overlap the front folded end by about 2". We leave this overlapped portion a little long in case of any shifting.



25. Sew the bias tape to the bag by stitching in the crease. Start sewing at the folded end (do not sew through the overlapped end) and continue all the way around the seam. Just before you reach the overlapped portion of the tape, trim the overlap to 1/2". End by sewing through the overlapped portion of the tape.

26. Repeat the previous step with your remaining bias tape on the other Gusset / Main Panel seam.

27. Fold the bias tape over the Gusset / Main Panel seam and sandwich it between the tape. Hand stitch the bias tape all the way around the opposite side of the seam with a ladder stitch or blind whip stitch.

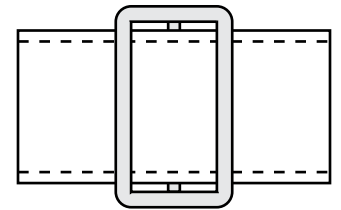
28. Repeat the previous step on the second Gusset / Main Panel seam and turn your bag right side out.

29. To give your bag crisp edges, fold along the gusset seams and press around each seam with your iron on the steam setting.

make adjustable strap

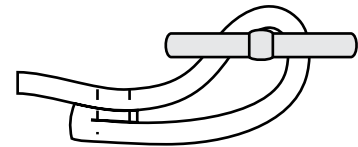
30. Repeat step 8-9 with Adjustable Strap to create a 58" long piece of 1" wide double-fold tape.

31. Thread your strap through the rectangle slider as illustrated.

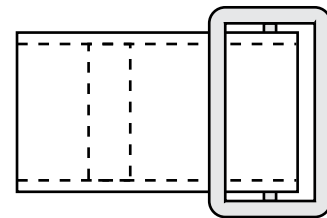


32. Fold your strap back 1 1/2" and fold the raw end under again 1/4". Stitch the end to itself by sewing a narrow rectangle.

Side View

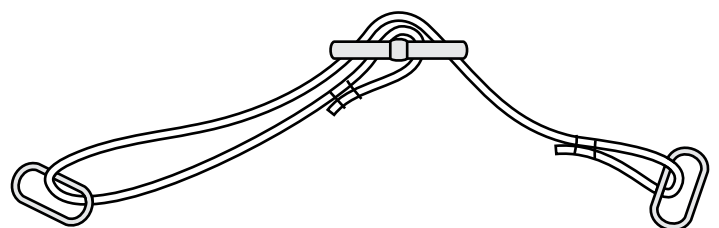


Top View



33. Thread the free end of the strap through the a rectangle ring on one of the Strap Loops. Proceed to thread the strap through the rectangle slider once more, on top of the stitched end of the strap

34. Continue to thread the strap through the second rectangle ring. Fold strap back and stitch in place as you did in step 32.

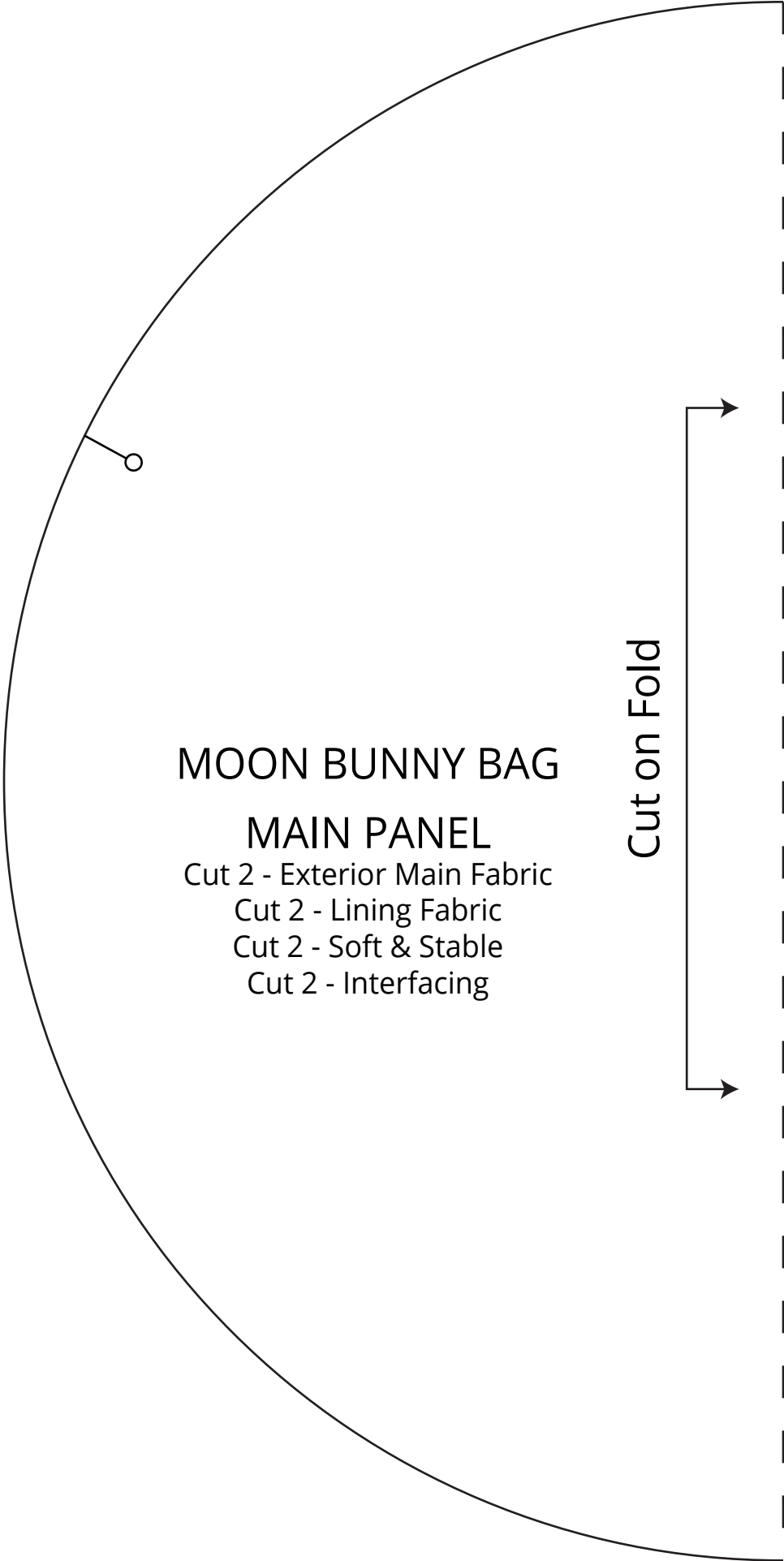


pattern printing
instructions

This square
should
measure
1" x 1"

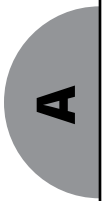
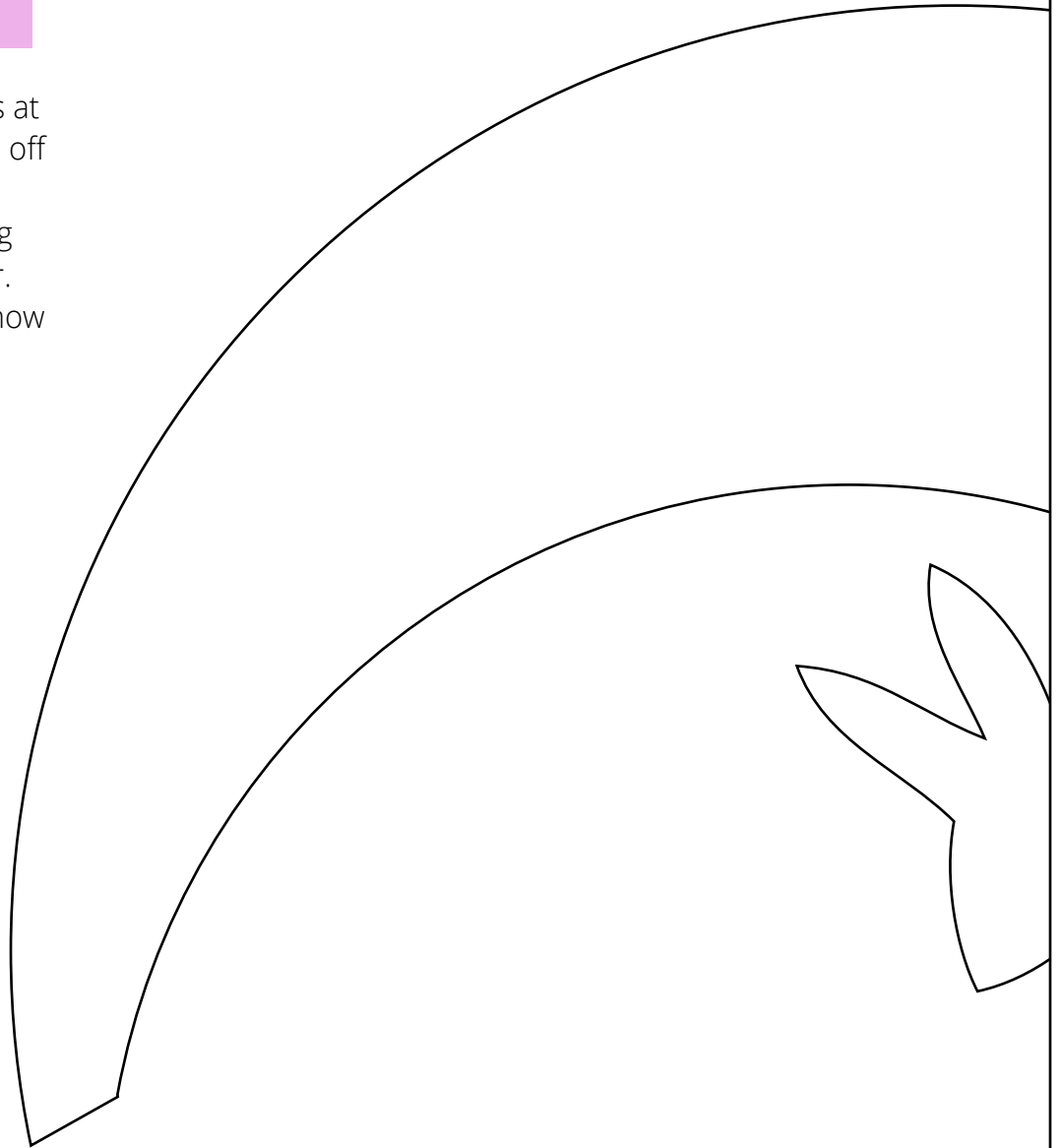
Print the pattern
pieces at 100%. Do not
scale. 1/2" seam
allowance is included
in Main Panel pattern
piece.

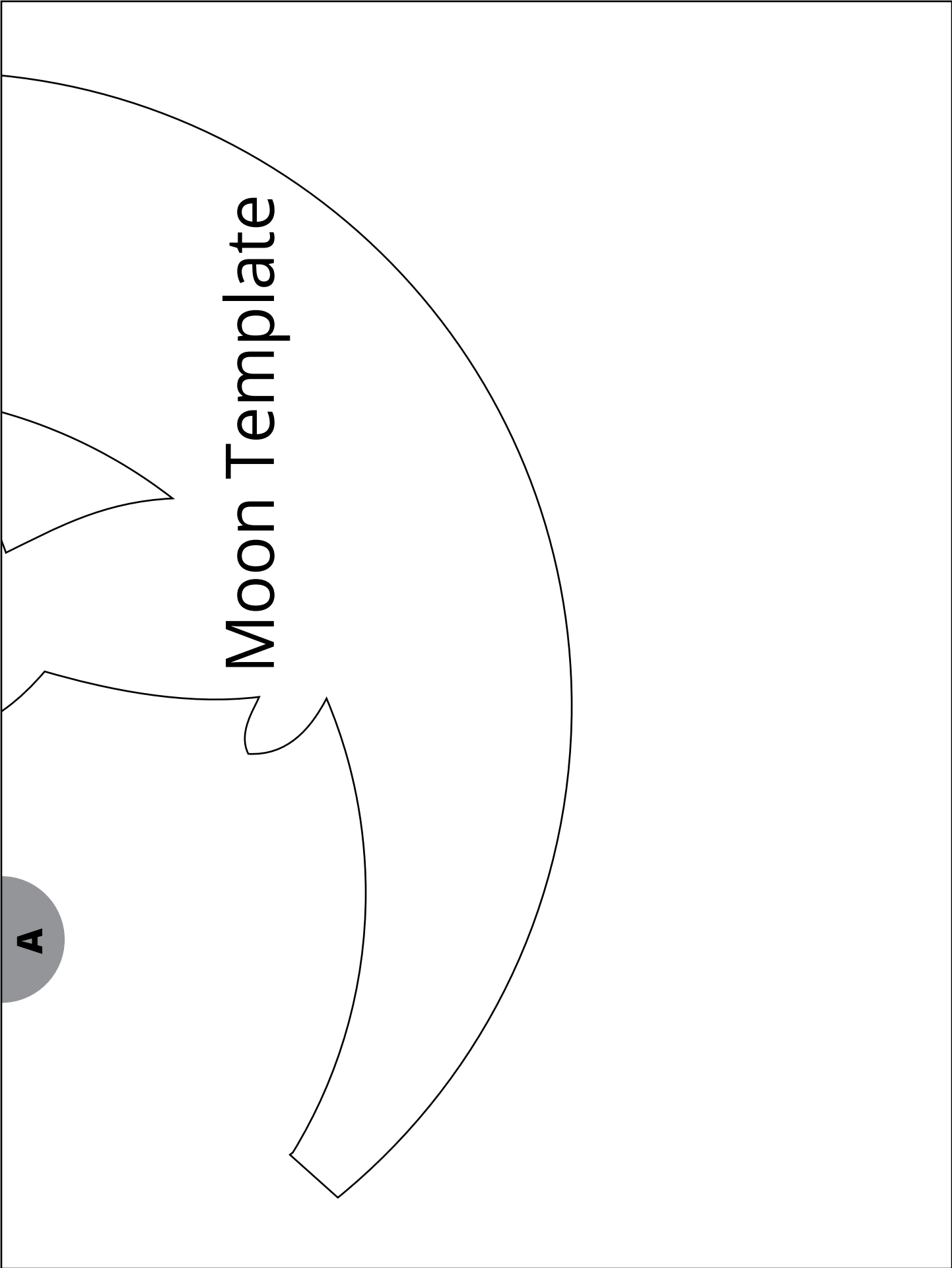
—○ Mark Notches



template printing
instructions

Print the template pieces at 100%. Do not scale. Trim off the margins. Line up the semicircles with matching letters and tape together. Your Moon Template is now ready to cut out.





Moon Template

A